

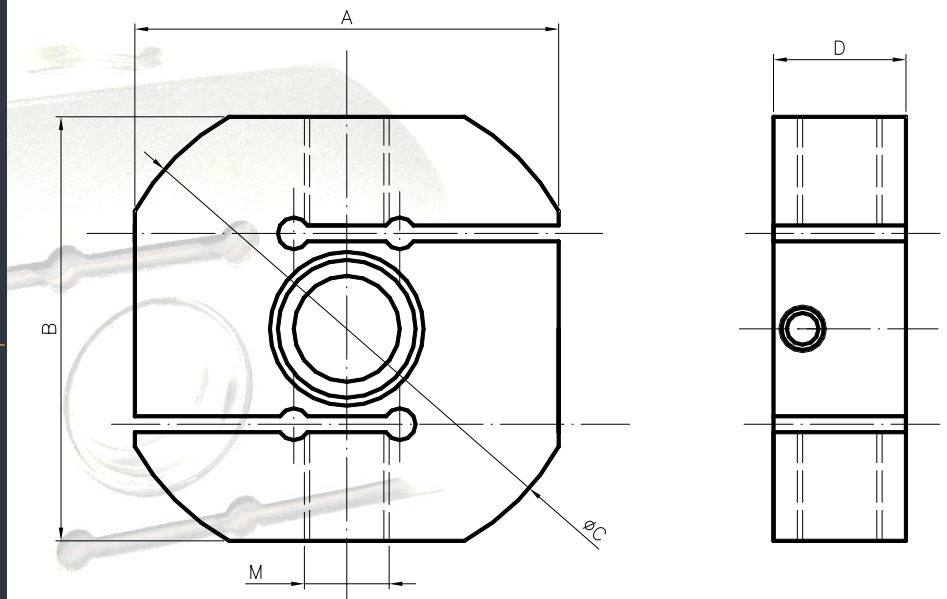
- Tension beam load cell
- 3000 divisions OIML R60 class C
- Hermetically sealed
- Measuring element from Stainless steel
- Protected against humidity IP67 (EN60529)



### Technical Data

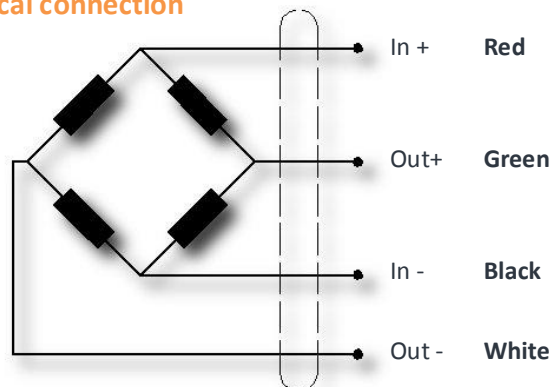
Accuracy Class	C3
Nominal Sensitivity	2mV/V±0.1%
Vmin	8000
Maximum combined error	0.02% N.L
Range of excitation	5..15V
Input Resistance	386 ± 5Ω
Output Resistance	350 ± 5Ω
Temperature limits OIML R60	-10..40°C
Insulation Resistance	>5000MΩ
Cable length	4m

### Mechanical Drawing



C.N. (Kg)	A	B	ΦC	D	M
250-500	70	70	80	25	M12
750-2500	80	80	91.5	25	M16
2000-5000	94	89	105	42	M22

### Electrical connection



**transdutec, s.a**

cl. joan miro 11

08930 Sant Adrià de Besòs - Barcelona  
Spain

Telf.0034 93 381 00 04

Fax. 0034 93 462 05 99

<http://www.transdutec.com>

e-mail: [transdutec@transdutec.com](mailto:transdutec@transdutec.com)